

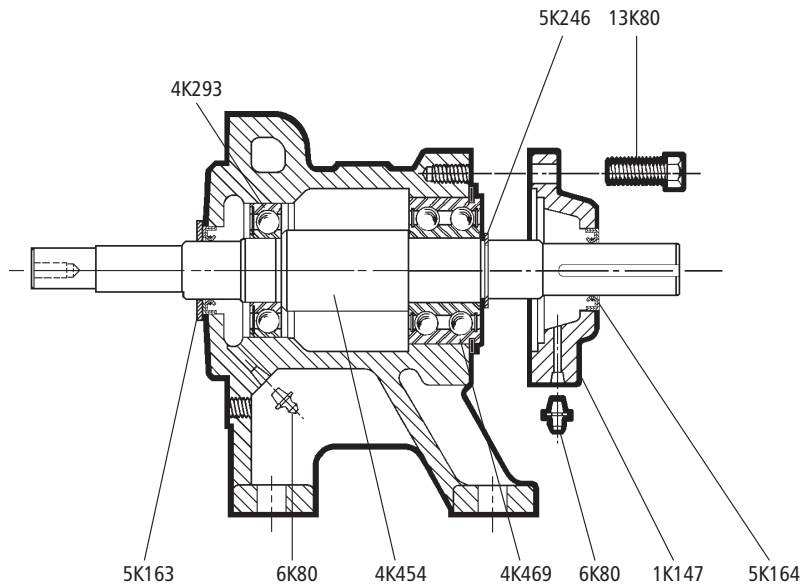
ITT

Commercial Water Systems

Goulds Pumps

L-Group Power Frame Repair Parts

L-Group power frame for models 3756 mechanical seal and packed box pumps



PART NO.	DESCRIPTION	MATERIAL	PATTERN NO.
15K7	Power Frame Complete (Mechanical Seal or Packed Box)		
1K147	Bearing cover	Cast iron	59056
4K454	Shaft	Steel	
4K292	Shaft key – motor end (not shown)	Steel	
4K293	Ball bearing – inboard	Steel	
4K469	Ball bearing – outboard	Steel	
5K163	Deflector	BUNA-N	
5K164	Lip seal – outboard	BUNA/Steel	
5K280	Lip seal – inboard	BUNA/Steel	
5K246	Retaining ring	Steel	
6K80	Grease fitting – frame and bearing cover	Zinc-Plated Steel	
13K80	Hex head cap screw – bearing cover	Zinc-Plated Steel	

For parts pricing and package stock quantities refer to published parts price list using "K" part no. listed above.



www.goulds.com

Goulds Pumps is a brand of ITT Corporation.

Engineered for life



ITT

Commercial Water Systems



Goulds Pumps and the ITT Engineered Blocks Symbol are registered trademarks and tradenames of ITT Corporation.
SPECIFICATIONS ARE SUBJECT TO CHANGE WITHOUT NOTICE.

RLPFRAME February, 2008
© 2008 ITT Corporation

Engineered for life